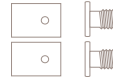
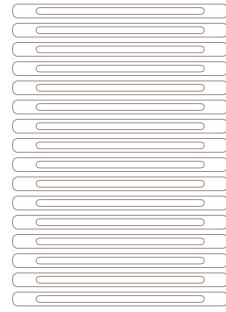
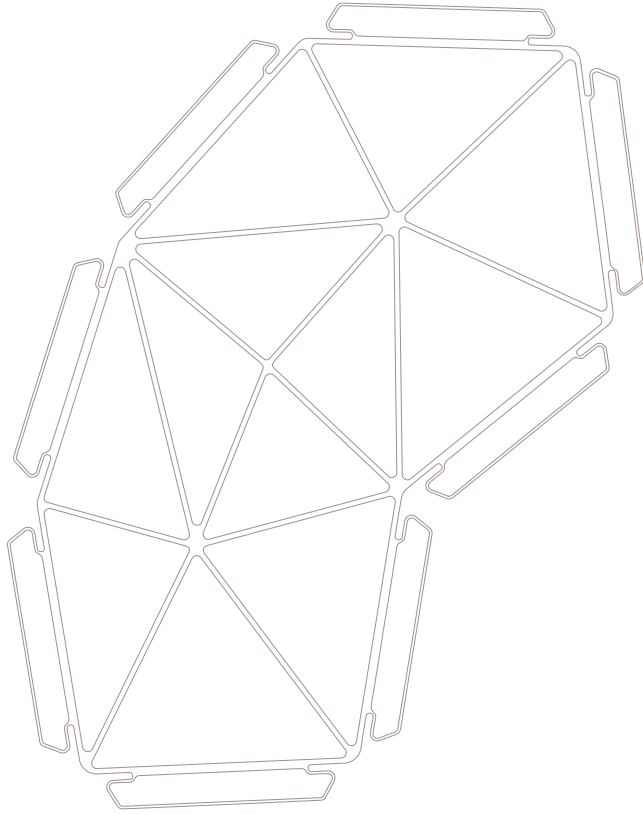


clouds
Assembling guide

kvadrat

what's in the box

- 8 / 24 Clouds
- Special rubber bands
- Mounting screws

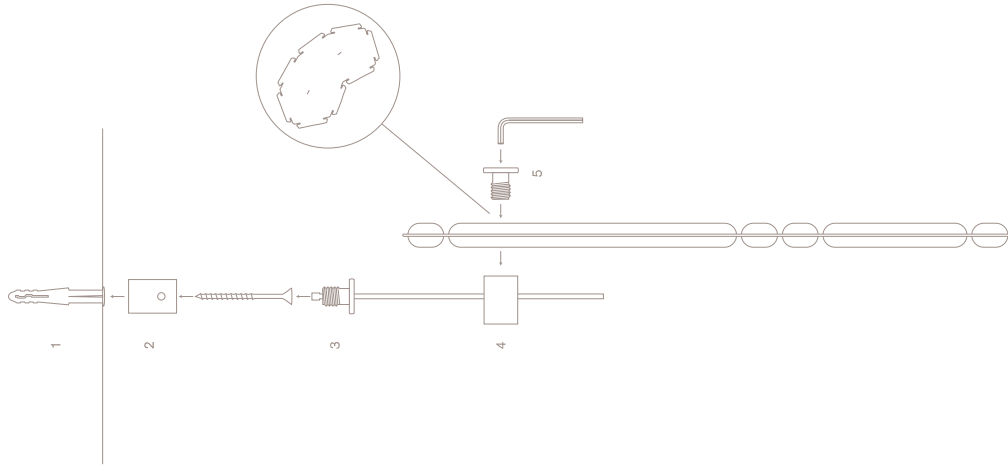


assembling

- Arrange the tiles into any shape you like
- Connect the tiles together using the special rubber bands

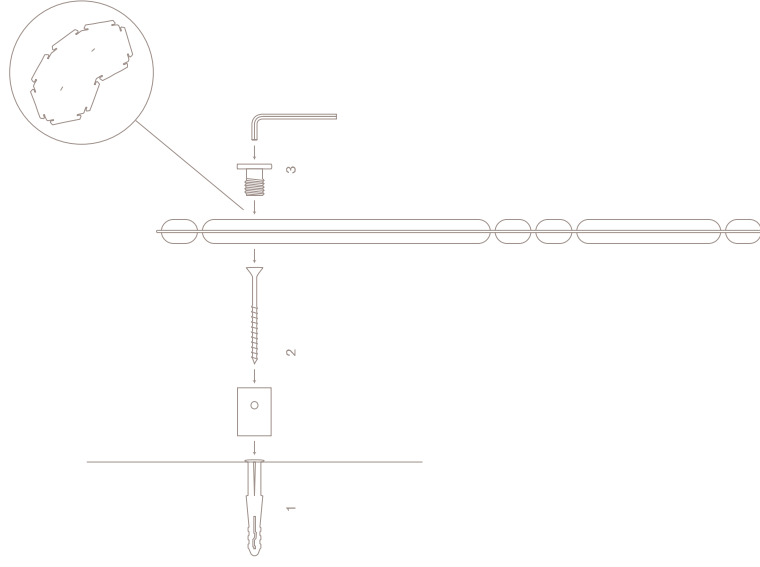


ceiling mount



What you will need
Wall plug
Screw - diameter M10
Alan key - 3mm

wall mount



What you will need
Wall plug
Screw - diameter M10
Alan key - 3mm

24 tile examples



8 tile examples



